



SUNIT-FQ5

- Intel® Core i5 7442EQ
- Skylake 4 x 1.9GHz

SUNIT-FDQ

- Intel® Core i7 6822EQ
- Skylake 4 x 2.0GHz

SUNIT-FMD

- Intel® i7 7820EQ
- Kaby Lake H 4 x 3.0GHz

- Intel HD Tri-graphic
- 1 x GigaBit-Ethernet
- 3 x Screen Interfaces
- 1x Video (Option 4 x Video)
- Dual-Band Wi-Fi & BT4.2,
- 4G / LTE, Dual-SIM
- FM-receiver with DAB+
- Voice-priority control (4-channels)
- Mini-keys for Handlebars.
- 2 x CAN, D-IO's, Analog-In's
- Accurate 72-channels 3D GNSS
- 3D-Gyro
- Vehicles; VSS, Gearshift sense, FMS
- Intelligent Power-Moding
- 9 ... 36V / Core-Power monitory



TECHNOLOGY MAKING INTELLIGENCE ON PATROL-BIKE

Law Enforcement by Patrol-Bike is having increasing service demands on traffic. Riders are constantly disturbed in their work meanwhile speed accelerates up-to life-threatening numbers.

Information's-flow that are continuously incoming by Voice and Image from several sources, disturbs the focus on traffic. Bike-riders duty requires a high level of professionalism and quick decisions in stressful situations.

SUNIT FQ Bike is specially tailored computer for Patrol-bike service. In addition, for usual computer with Patrol-required equipment's, it includes FM-receiver with DAB+ traffic-messaging for Navigation Applications and Voice-control to select prioritized voices between Navigator, Phone, PC and Tetra.

As a full-service on Patrol-Duty, FQ-Bike offers kit for Springly Helmet cable connection, PPT-Statives on Handlebars, Accessory Harness for Tetra radio including Voice priority interface and Sealed Mini-KeyPads.



SUNIT in Brief—Focus on Client Entrepreneur

Over 20 year's core-focus on tough computers and deep knowledge of client-demands has brought us prime expertise in technology.

We demand ourselves deep knowledge of the Clients entrepreneur and we strive to bring the long-term technology into his ICT.

Our technology connects OAC - Open Architecture Computing to IoT - Internet of Things with Powerful Processing.

Our Products are covered by Industry Standard ISO-16750, UNECE-Regulations and Environmental Standards.

www.sunit.fi

marketing@sunit.fi



SUNIT

Bridge for Demanding Duties

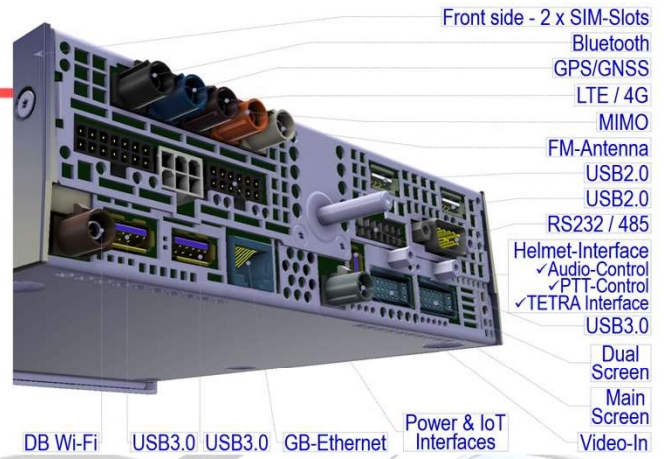
SUNIT FQ BIKE-ASSIST

MAKING PATROL-BIKE INTELLIGENCE

SUNIT-FQ Patrol Bike-Assist is for Law Enforcement an complete solution offering all vital components including cables, antenna, as well as CPU and HMI devices.

The aim is to simplify manipulations in duty and create a safe working environment for the authority.

The Platform base on OAA-Computing and the Client application have control of all User-related priorities & functions.



Some of devices on this page are Options

SUNIT FOX



ANPR Camera

SUNIT Mini-Scout



Traffic Surveillance Camera



SUNIT-Screen, Waterproof



SUNIT-Keyboard, Waterproof



Waterproof 5-button Keypad w. LED-signals

Wired



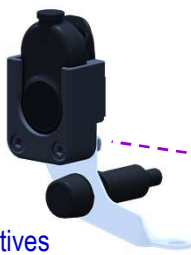
Alternative PPT-States

B.T.



SUNIT Helmet Cable-Jack

Wired & B.T.



Application:
SUNIT Voice-Selector

Selected Voice



Helmet w. Headset & Mic.



Pocket-Radio w. B.T.



Trunked Radio

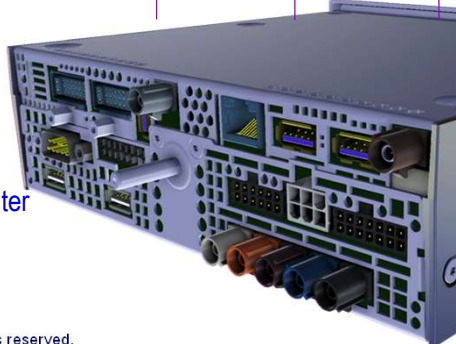
V.Prio Master

Navi
V.Prio-X

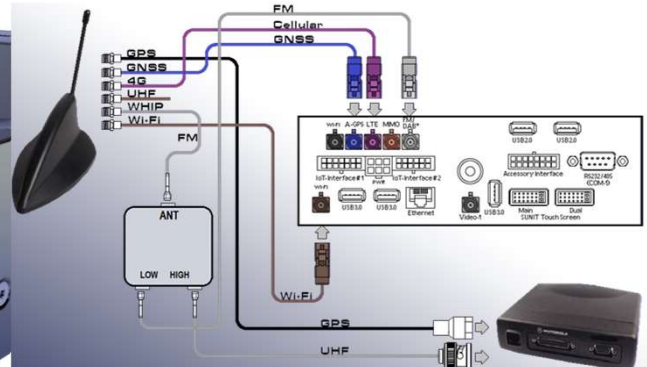
FM/DAB
V.Prio-Y

Modem
V.Prio-Z

SUNIT-Computer



Antenna-Kit (Computer & Tetra)



©SUNIT OY. All rights reserved.
Specifications subject to change without notice

